

# Year 6: micro:bits

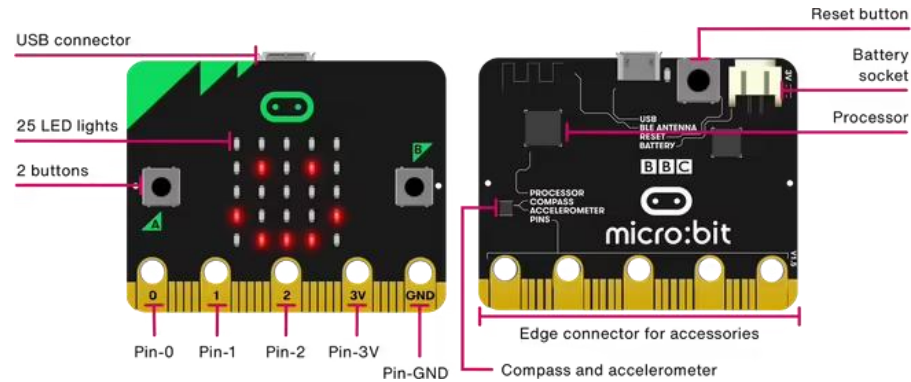
Key Questions: How can I use a micro:bit for a variety of purposes?

## Critical Thinking Questions

How do we keep ourselves safe online? Why is it important to keep refreshing E-safety?	What is a micro:bit?	How can I turn a micro:bit into a counter?
How can I use a micro:bit as a timer?	Can I use a micro:bit to tell the time?	How can I create games on a micro:bit?

## Helpful Information

Software: [makecode.microbit.org](https://makecode.microbit.org)



## Vocab Pyramid

Tier 3	emulator, flow, algorithm,
Tier 2	controllable device, conditions, if-then-else, physical input, modify, bug fixing
Tier 1	input, program, variable, design

## Key Concepts

